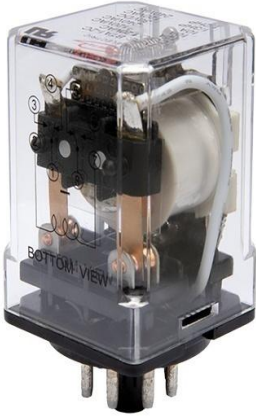


>>>Power Relay(BTA1)



BTA1-2C



Main Feature

- >10A contact rating
- >various contact form: (2C)DPDT / (3C)3PDT
- >stander clear cover
- >LED indicator : shows coil ON/OFF status
- >gold-plated contact can be chosen

How to order

Discription	BTA1	-2C		-J	-C	ML	-24VDC
series: BTA1							
contact type: 2C:DPDT 3C:3PDT							
contact rating Blank: 10A							
octal terminal type 8PIN/11PIN J:J style circule U:U style circule							
cover type: C: stander clear cover							
options: M: manual test button (blank : without button) L: LED indicator (blanke : without LED LED light color : AC: red DC: green							
Coil voltage A: AC D: DC (AC: 6V~240V DC: 6V~110V)							

>Characteristic

type	2C		3C
	load	resistive motor	10A 1/3Hp,120VAC/ 1/2Hp,240VAC
contact	switching power	300W,2880VA	
	switching current	10A	
	resistance	≤50mΩ	
	material	10A:AgNi 银镍	
	electrical life	10,0000 ops	
	mechanical life	1000,0000 ops	
	must operate voltage (23°C)	DC:≤80%, AC: ≤85% 50/60HZ	
	must release voltage (23°C)	DC:≥10%, AC: ≥30% 50/60HZ	
max voltage (23°C)	110%		
Insulation resistance	1000MΩ @500VDC		
power consumption	DC(W)	1.2W	
	AC(VA)	2.0~3.0VA	
operate time	AC:≤25ms. DC:≤20ms		
release time	AC:≤20ms. DC:≤15ms		
dielectric strength	between open contact	1000VAC,1Min	
	pole to pole	1500VAC,1Min	
	contact to coil	1500VAC,1Min	
ambient temperature	-25°C~+65°C (AC/DC)		
ambient humidity	5%RH~85%RH		
atmosphere	86-106KPa		
shock resistance (malfunction)	98m/s ²		
shock resistance (destruction)	980m/s ²		
vibration resistance	10Hz~55Hz, Double amplitude 1.0mm		

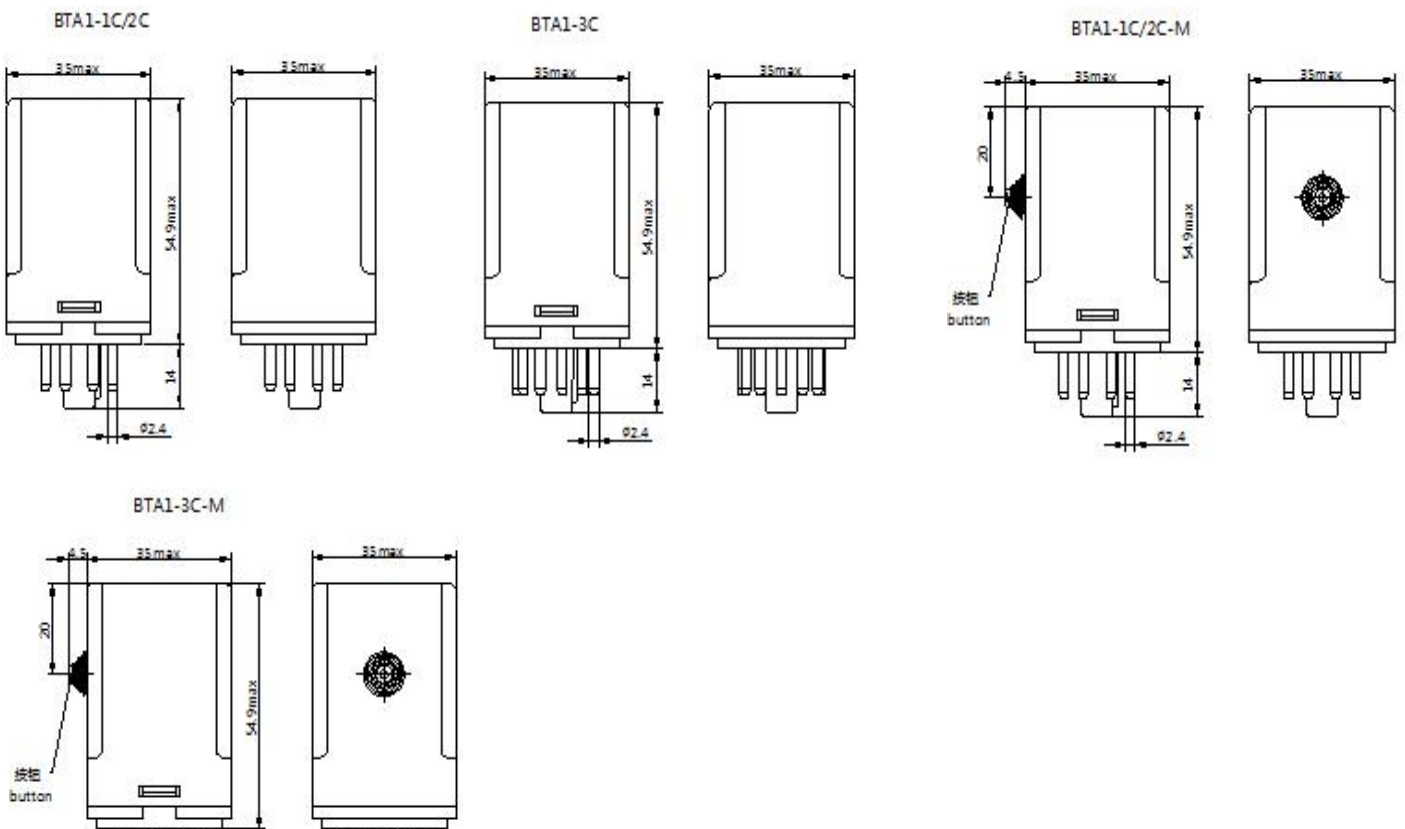
terminal types	plug in	
dimension	35mm×35mm ×54.9mm	
weight	约85g	约88g

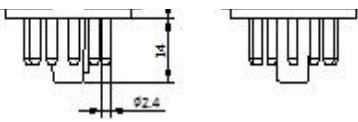
>Coil rating (temperature + 23℃)

	Rated Voltage (V)	Must Operate (V)	Must Release (V)	Max (V)	Coil Resistance(Ω)±10%
2C/3C	6VDC	≤80%	≥10%	110%	32
	12VDC				120
	24VDC				472
	48VDC				1800
	110VDC				10000
2C	6VAC	≤85%	≥30%		6
	12VAC				21
	24VAC				85
	48VAC				350
	110VAC				1900
	120VAC				2250
	220VAC/230VAC				7200
	240VAC				9110
3C	6VAC	≤85%	≥30%		4.2
	12VAC				18
	24VAC			72	
	48VAC			280	
	110VAC			1500	
	120VAC			1700	
	220VAC/230VAC			6000	
	240VAC			7200	

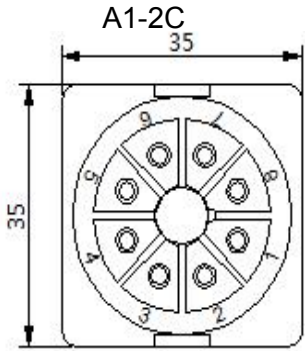
Note: The maximum voltage is the maximum that the relay can withstand in a short period of time.

>Dimension (mm)

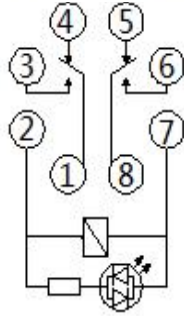




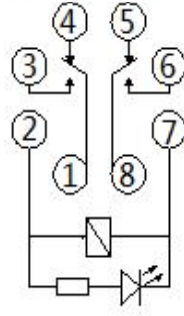
>Wire digram



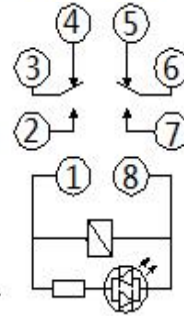
2C-J型线路DC



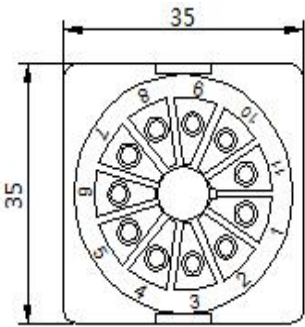
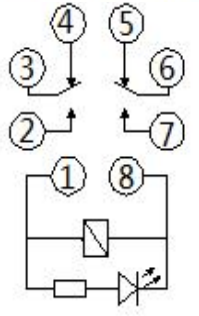
2C-J型线路AC



2C-U型线路 DC

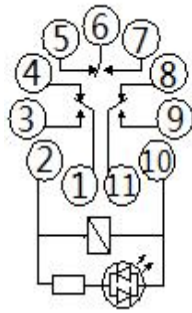


2C-U型线路AC

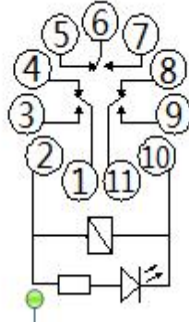


A1-3C

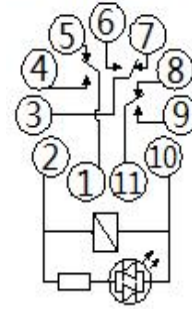
3C-U型线路 DC



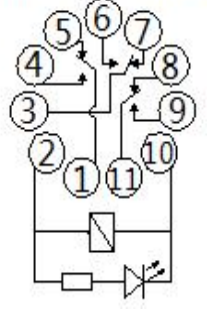
3C-U型线路AC



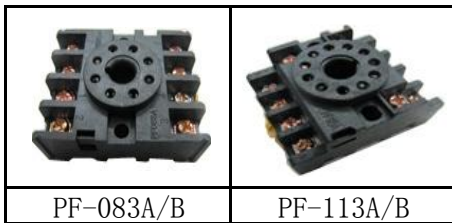
3C-J型线路DC



3C-J型线路AC



>>>socket (相关参数见BTA6插座说明)



PF-083A/B

PF-113A/B